

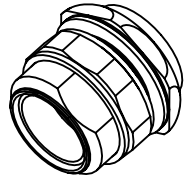
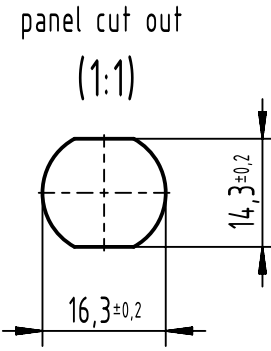
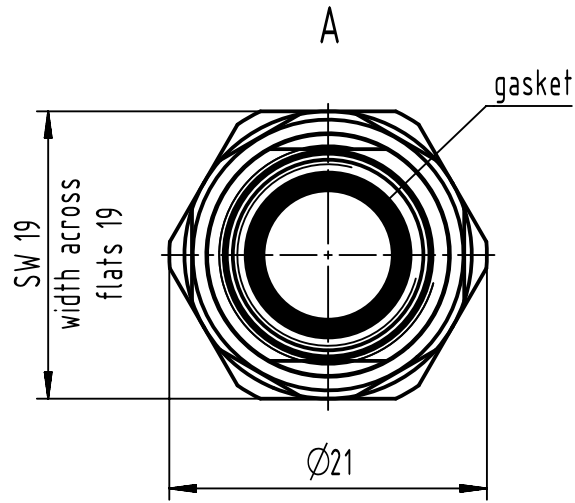
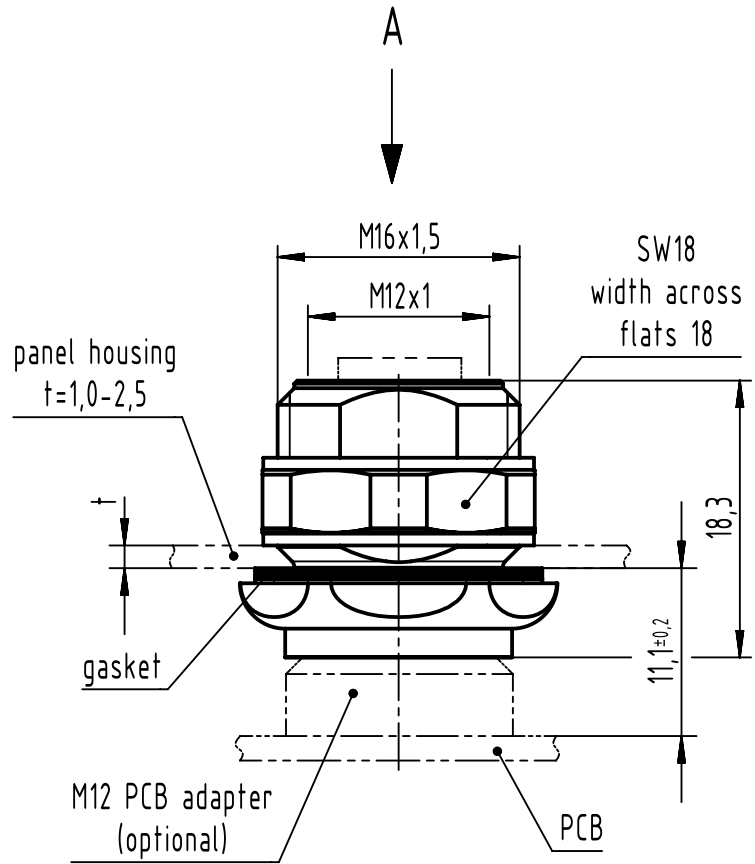
1 2 3 4 5 6

A

B

C

D



	All Dimensions in mm Original Size DIN A4		Scale 2:1	Free size tol.		Ref.		
						Sub.		
	All rights reserved		Created by SERBANA	Inspected by FARCASIU	Standardisation ROEBEN	Date 2022-10-28	State Final Release	
	Department EL PD		Title PCB receptacle housing back female				Doc-Key / ECM-Nr. 100600236/UGD/002/D 500000226528	
HARTING D-32339 Espelkamp			Type TB	Number 21033022000			Rev. D	Page 1/1